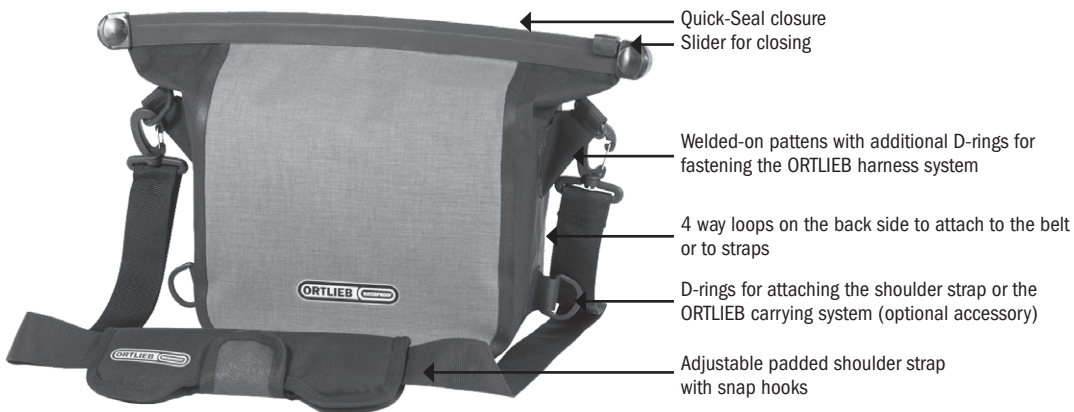


AQUA-CAM

Spacious bag for photo and video equipment



Size	Height cm/in.	Width cm/in.	Depth cm/in.	Vol. l/cu.in.	Weight g/oz.
M	17/6.7	22/8.7	12/4.7	4.5/275	460/16.2
L	18/7.1	26/10.2	15/5.9	7/427	500/17.7

Figures apply to inner dimensions

- Waterproof bag for video and camera equipment
- Excellent protection for camcorder-equipment and accessories
- Waterproof Quick-Seal-Closure with sealing lip
- Slider for easy and fast closing
- The removable padded camera insert protects against impacts
- The variable inner divisions meet the different requirements of camcorder or camera equipments
- D-rings for fixation of the ORTLIEB harness system (optional accessory)
- Welded on 4-way loops on the backside allow fixing to the belt or with straps in horizontal or vertical direction
- Temperatures below -5°C/23°F may affect the function of the sealing lip

Bag comes with a shoulder strap and internal padding

PRODUCT-INFO

Please find information on IP symbols on our info sheet or at www.ortlieb.com/ip-symbols

aquacam10-2010