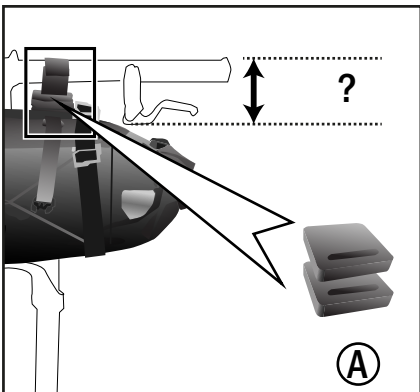
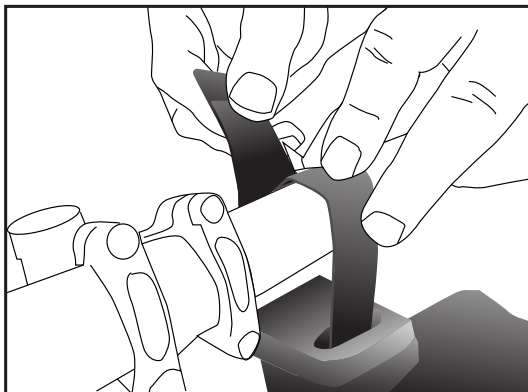


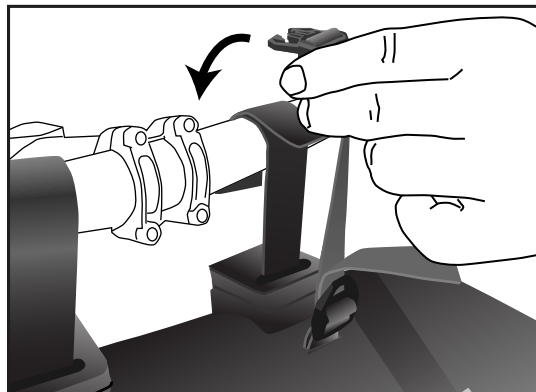
1



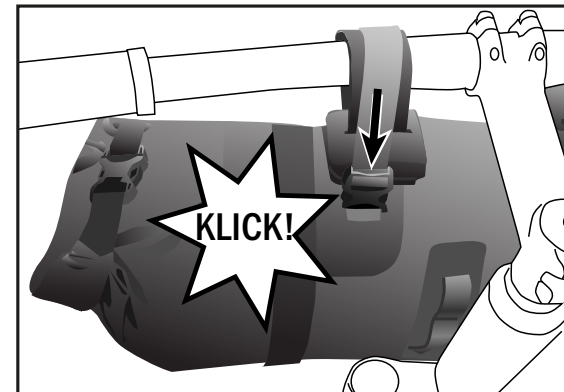
2



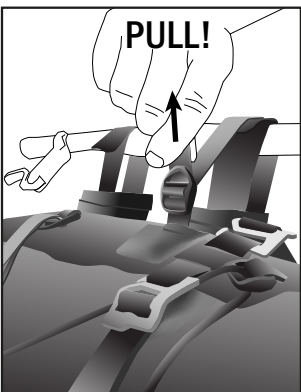
3



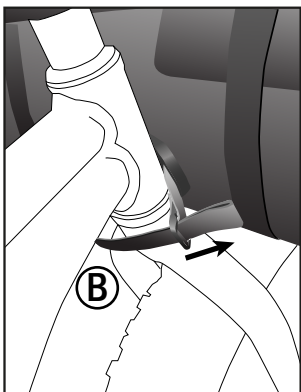
4



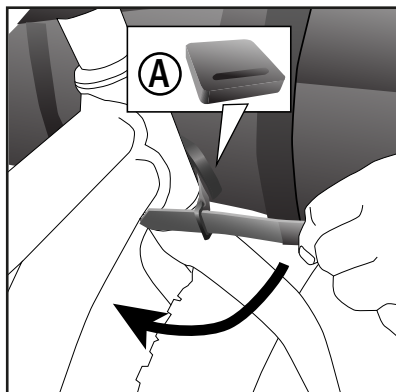
5



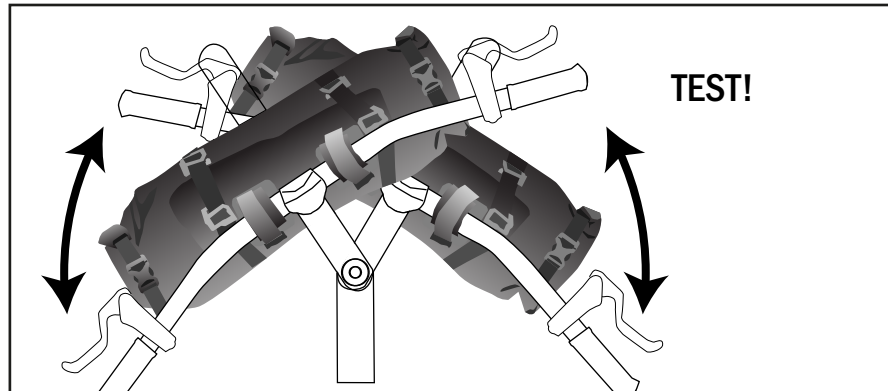
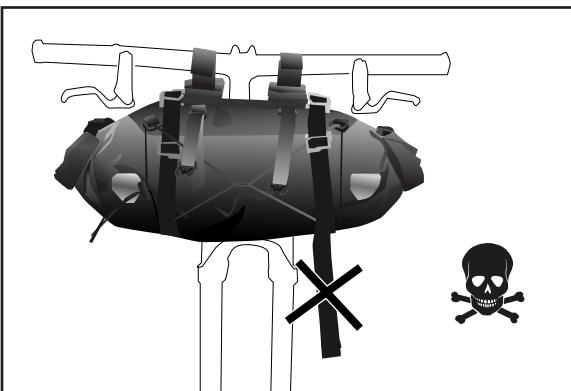
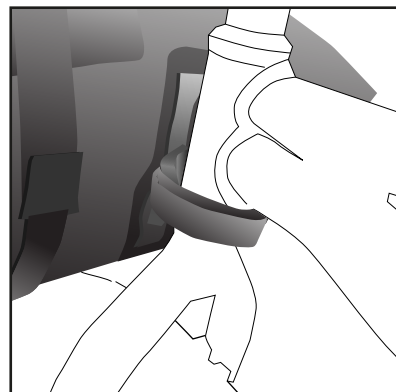
6



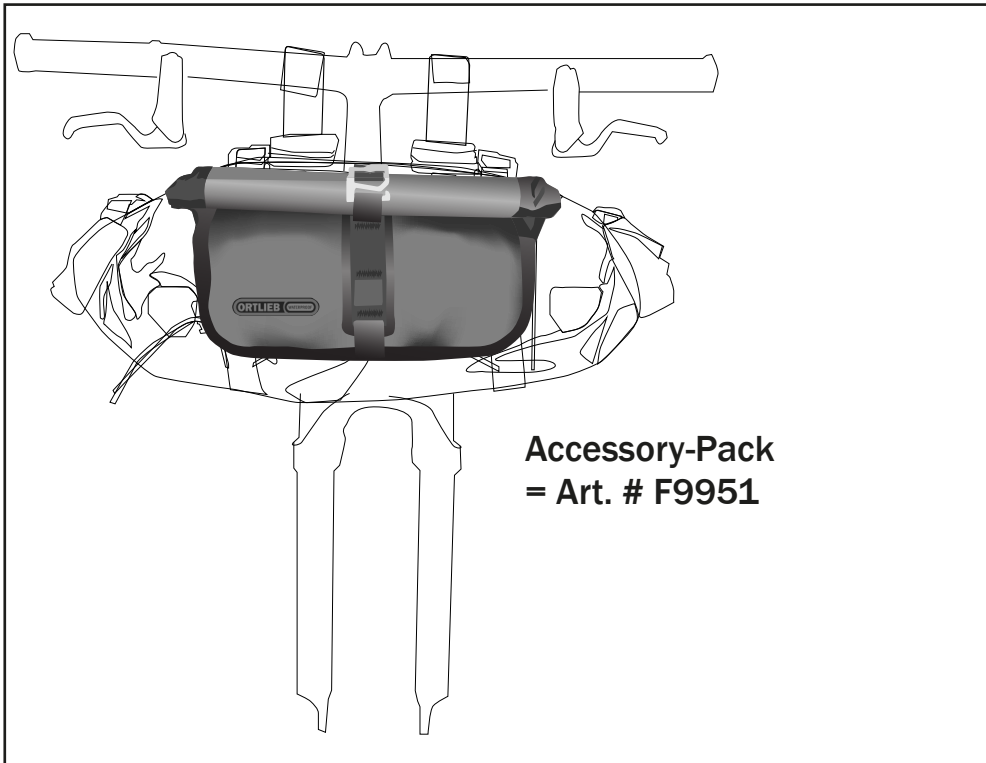
7



8



ACCESSORIES

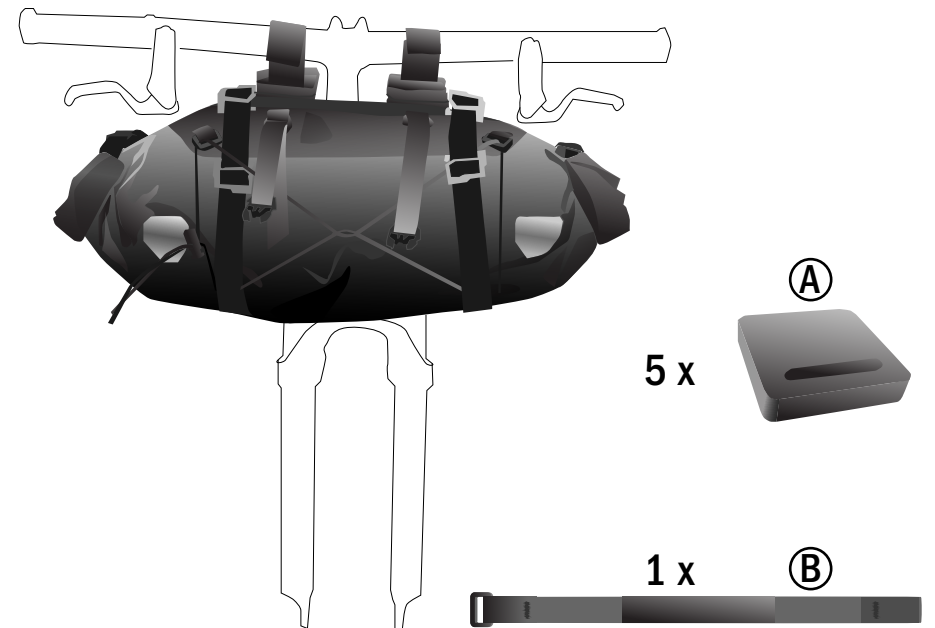


**Accessory-Pack
= Art. # F9951**

Handlebar-Pack

ORTLIEB WATERPROOF

- | | | | |
|-----------|--------------------------|-----------|---------------------------|
| DE | MONTAGEANWEISUNG: | ES | INSTRUCCIONES DE MONTAJE: |
| EN | ASSEMBLY INSTRUCTIONS: | SE | MONTERINGSANVISNING: |
| FR | INSTRUCTIONS DE MONTAGE: | NO | MONTERINGSANVISNING: |
| IT | ISTRUZIONI DI MONTAGGIO: | FI | ASENNUSOHJEET: |
| NL | MONTAGE HANDLEIDING: | PL | INSTRUKCJA MONTAZU: |
| DK | MONTERINGSVEJLEDNING: | JP | 換気の良い所に保管してください。 |



WEITERE INFORMATIONEN:
MORE INFORMATION:
<https://www.youtube.com/watch?v=CuMWYUYhSoM>

