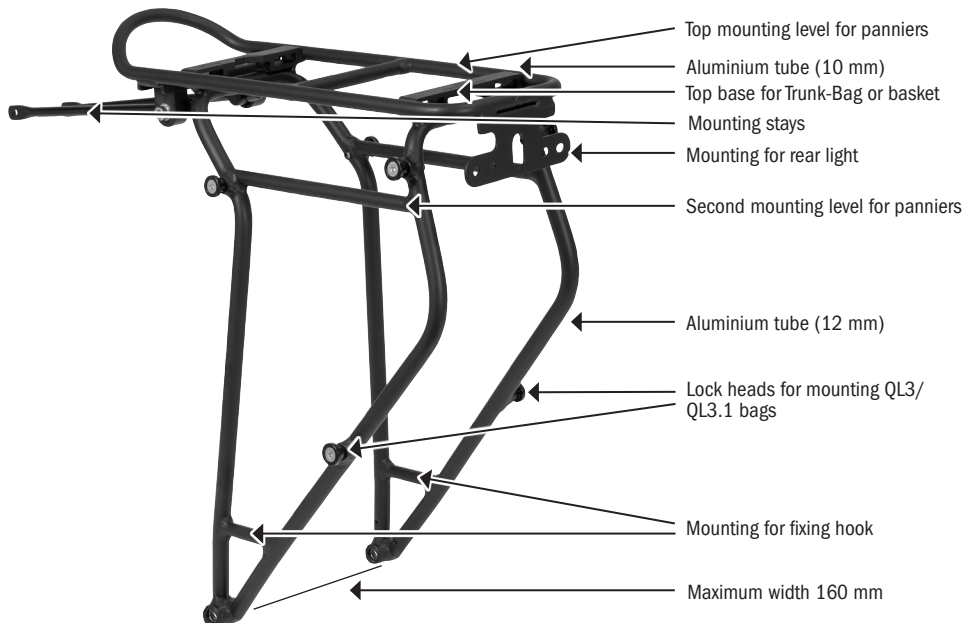


PRODUCT INFO

RACK THREE

City and touring aluminium rack with support surface



material	wheel size	tube diameter mm/in	outer width support surface mm/in	max. mounting width mm/in	weight g/oz	max. capacity kg/lbs
Aluminium	26"/28"	10/0.4 (horizontal)/ 12/0.5 (vertical)	120/4.7	160/6.3	840/29.7	30/66

SPECIFICATIONS:

- + City and touring aluminium rack with two mounting levels
- + For wheel size 26"/28" (1 size)
- + Width of support surface 120 mm
- + Compatible with all ORTLIEB mounting elements (QL1, 2, 2.1, 3 or 3.1 system)
- + With three integrated QL3/QL3.1 mounting elements on each side
- + Further mounting components are not required for QL3/QL3.1 bags
- + Suitable for direct mounting of QL3/QL3.1 products (e.g Back-Roller Free, Back-Roller Urban, Single-Bag, Office-Bag, Downtown Two, Vario, Commuter-Bag Two Urban)
- + QL3/QL3.1 lock heads can be easily removed for fixing panniers with QL1, QL2 or QL2.1 system; dummy plugs for borings included
- + Second mounting level for simultaneous use of panniers on sides and basket or Trunk-Bag on top
- + Mounting for optional rear light (not included)
- + Maximum capacity: 30 kg/66 lbs.

Contents: Rack Three with mounting components

Note: Instructions

Attention: Rack not suitable for mounting and using child seats; not compatible with disc brakes!